



22nd March

$$1\frac{1}{3} + \frac{1}{2}$$

$$1\frac{2}{6} + \frac{3}{6} =$$

$$1\frac{5}{6}$$

$$-18 - 25$$

$$-43$$

Adam is organising a charity concert at school.

The concert is sold out.

The hall holds 35 rows of 42 seats.

Each person pays £18

How much money will Adam raise for charity?

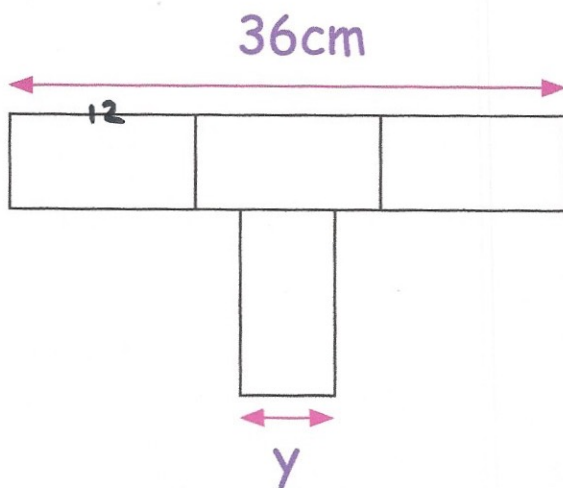
$$35 \times 42 \times 18$$

$$= \underline{\underline{\pounds 26,460}}$$



Here is a shape made from 4 identical rectangles.

The total area is  $336 \text{ cm}^2$



Work out the value of  $y$

$$336 \div 4 = 84$$

each rectangle has area  $84 \text{ cm}^2$

$$84 \div 12 = 7$$

$$\underline{\underline{y = 7}}$$