



23rd July

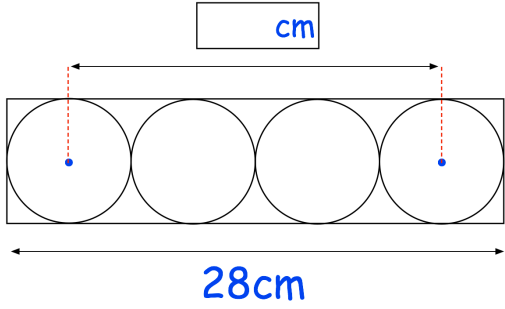
3% of 52,000

--

1158×35

--

Four identical circles fit inside a rectangle.
Find the distance between the centres of the first and fourth circle.



Write 1950 in Roman numerals

This sequence increases by an equal amount each time.

Find the three missing numbers

13				30
----	--	--	--	----