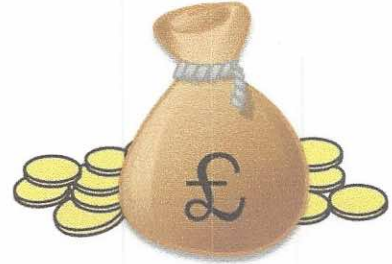
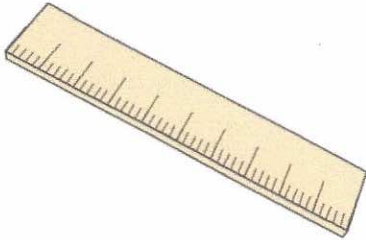


Primary Practice Questions



Corbettmaths



Angles: Measuring & Drawing



Tips

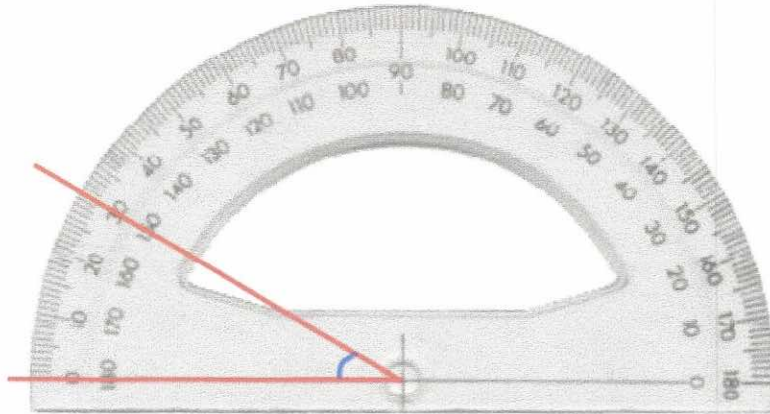
- Read each question carefully
- Attempt every question.
- Check your answers seem right.
- Always show your workings

Recap

Remember

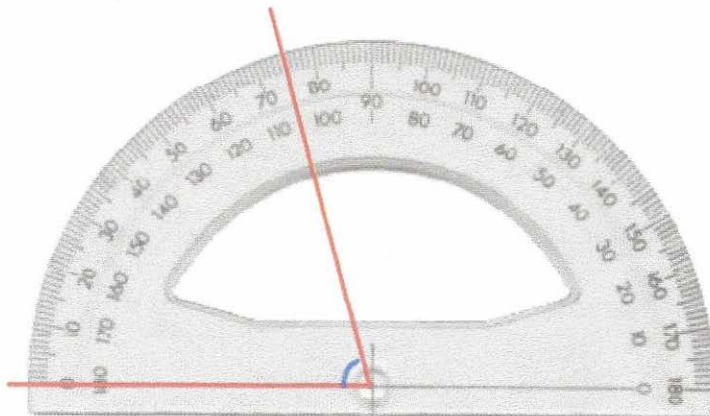
- There are daily questions found at
www.corbettmaths.com/5-a-day/primary

1. Write down the size of the angle being measured



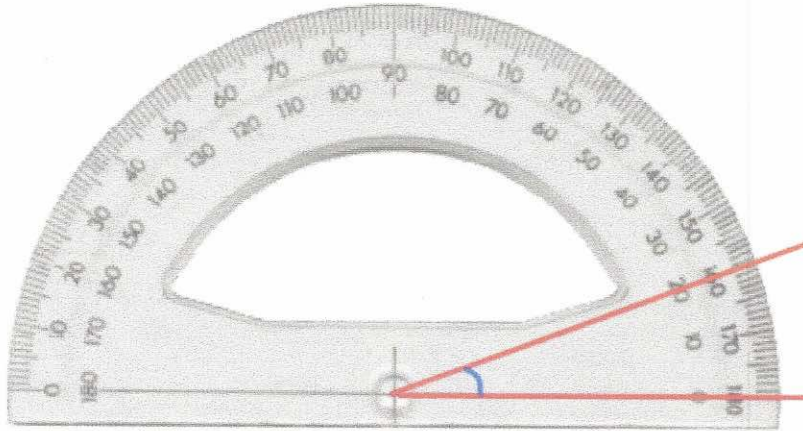
30 °

2. Write down the size of the angle being measured



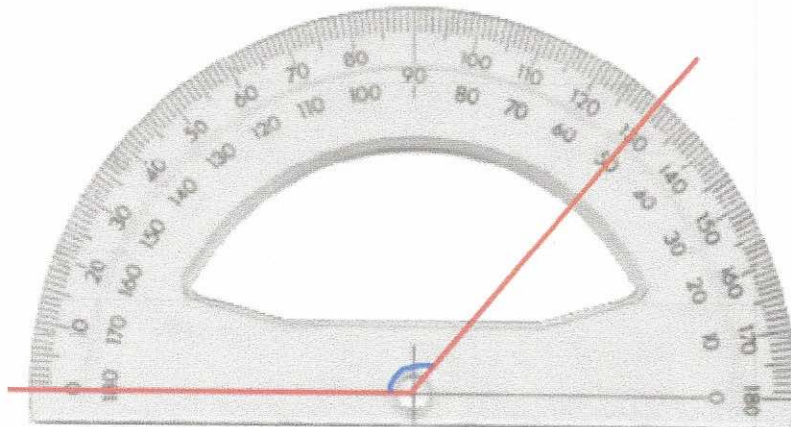
75 °

3. Write down the size of the angle being measured



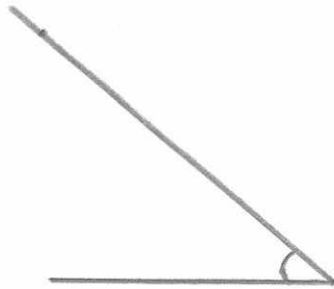
20 °

4. Write down the size of the angle being measured

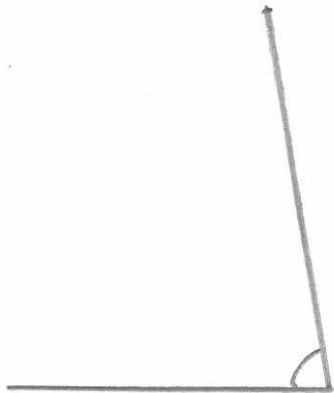


130 °

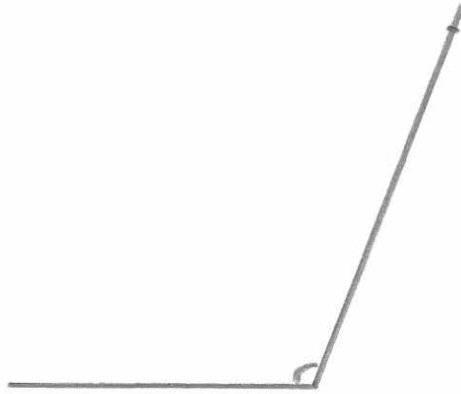
5. Draw a 40° angle



6. Draw an 80° angle



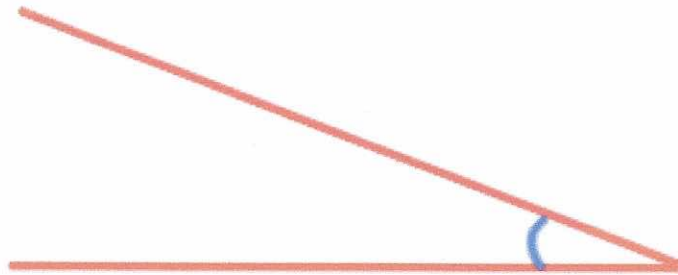
7. Draw a 110° angle



8. Draw a 160° angle

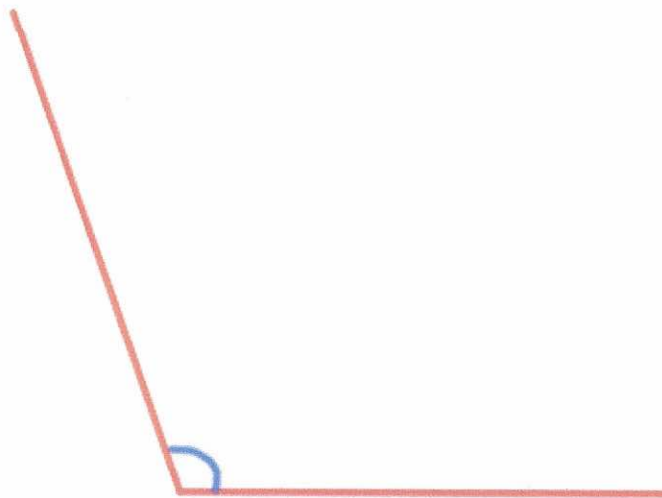


9. Measure the size of this angle



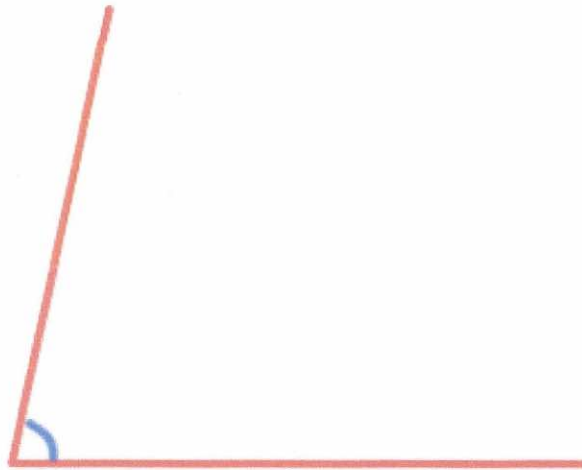
22°

10. Measure the size of this angle



110°

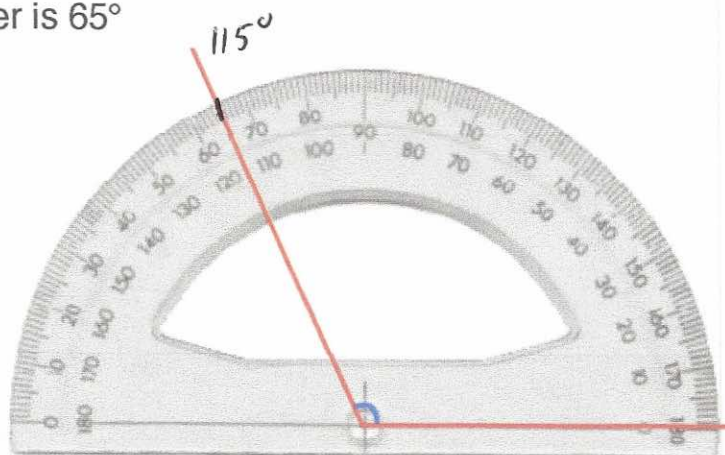
11. Measure the size of this angle



78°

12. Lauren has been asked to measure this angle.

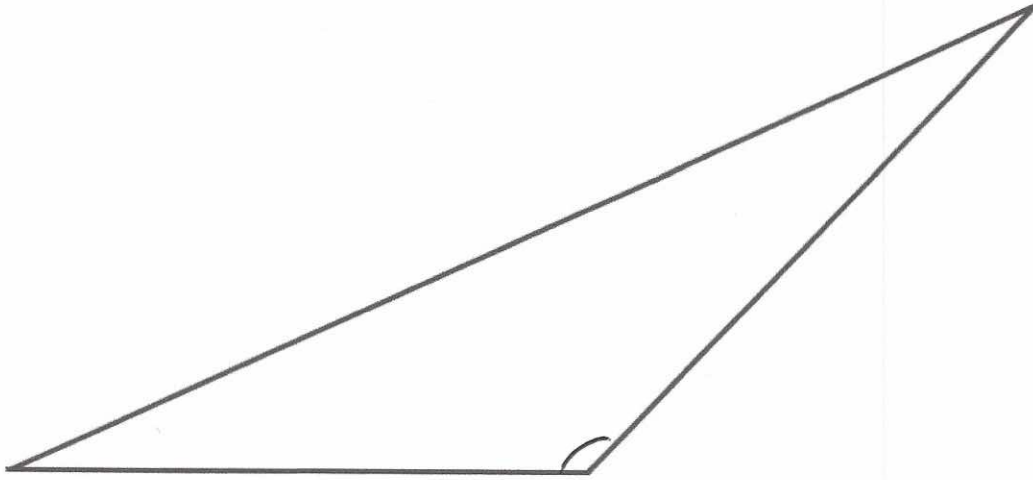
Her answer is 65°



Explain her mistake

Lauren has read the wrong number on the protractor,
the outer number rather than the inner number.

13. Here is a triangle.

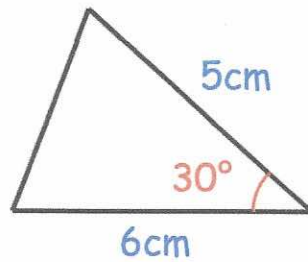


Measure the size of the largest angle

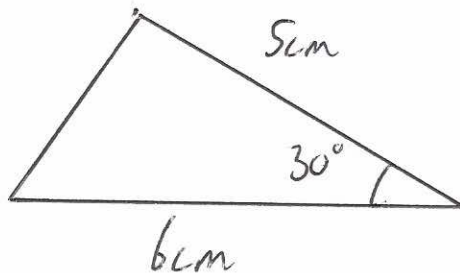
134 °

14. Here is a sketch of a triangle

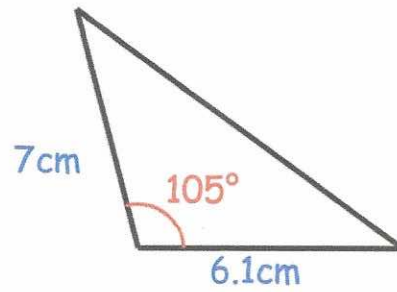
It is not drawn to scale.



Draw the full-size triangle **accurately** below



15. Here is a sketch of a triangle
It is not drawn to scale.



Draw the full-size triangle **accurately** below

