

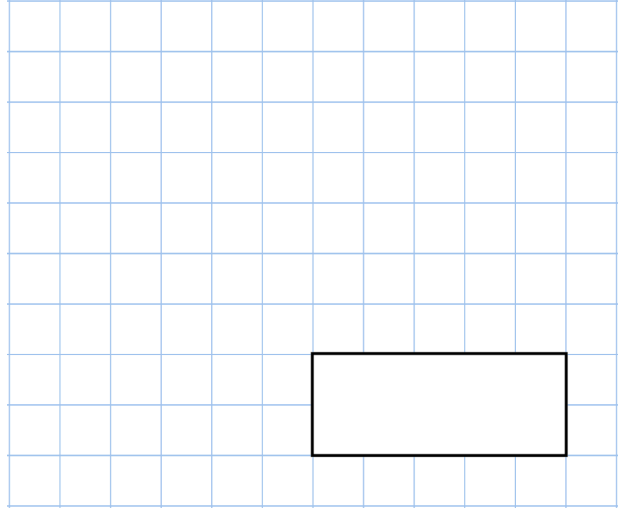


25th November

$4 \div 5$



$80 - 16 \div 8$



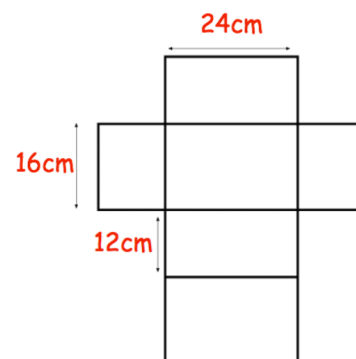
For every 5 50p coins, Laura has 3 £2 coins.

Laura has £10 in 50p coins.

How much money does Laura have altogether?

Shown is the net of a cuboid.

Work out the volume of the cuboid.



Flower pots normally cost £4 each.

Laura wants to buy 30 flower pots.

Gardenbase
20% off

Lawn Factory
Buy 5 get 2 free

Which shop should Laura buy them from?