



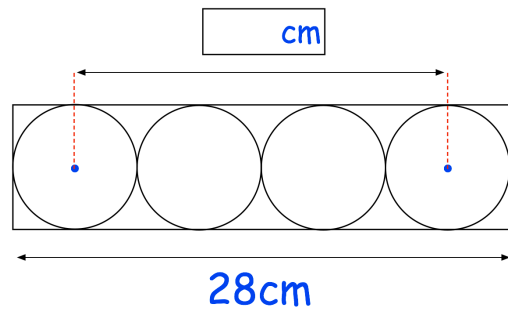
10th February

$$0.7 \times 60$$

$$80\% \times 1,800$$

Four identical circles fit inside a rectangle.

Find the distance between the centres of the first and fourth circle.



A 2p coin has a mass of 7 grams.
Find the total mass of £80 worth of 2p coins.

Give your answer in kilograms

This sequence increases by an equal amount each time.

Find the three missing numbers