



14th March

$1.83 \times 9$

$$\begin{array}{r} 1.83 \\ \times 9 \\ \hline 16.47 \end{array}$$

16.47

$$\begin{array}{r} 124 \\ 35 \overline{) 4340} \end{array}$$

124

James and Mark share 55 sweets in the ratio 2:3.

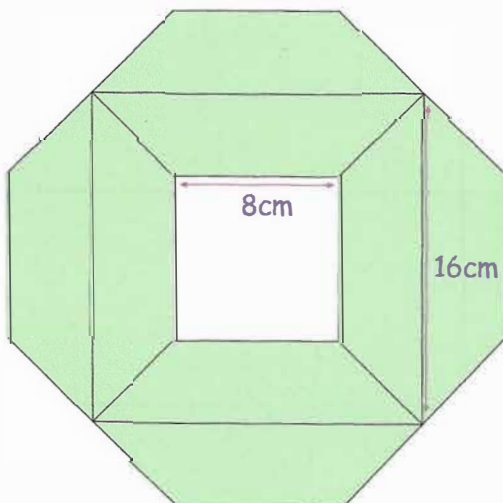
How many sweets does Mark get?

33

$$55 \div 5 = 11$$

$$11 \times 3 = 33$$

A logo is made from a square and 8 identical trapeziums.



Find the area of one trapezium

$$\frac{8+16}{2} \times 4 = 48 \text{ cm}^2$$

Find the total area of the logo.

$$48 \times 8 = 384 \text{ cm}^2$$

$$8 \times 8 = 64 \text{ cm}^2$$

448 cm<sup>2</sup>