

Name: _____

Primary 5-a-day

Ruby



8th January

$9 - 1 =$

$14 - 3 =$

$4 + 10 =$

$18 - 10 =$

Which car is the **longest**?

A



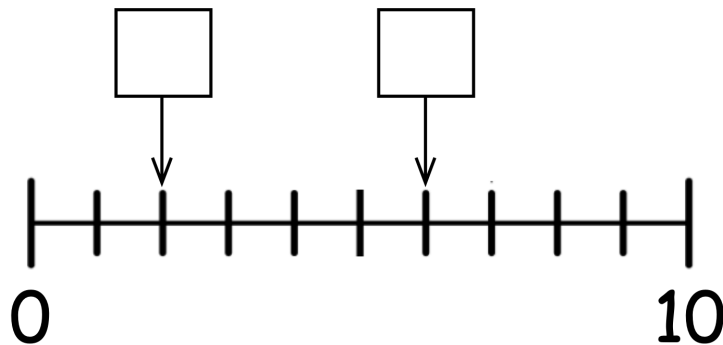
B



C



Write the missing numbers in the boxes.



Write the missing number in the box.

$12 + 5 = 10 +$