

Name: _____

Primary 5-a-day

Ruby



19th July

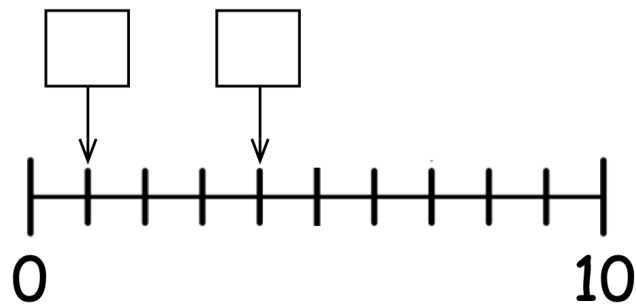
$9 + 2 =$

$7 + 6 =$

$20 - 1 =$

$18 - 7 =$

Write the missing numbers in the boxes.



Tick the number that is spelt correctly.

24
twenty-two

35
twenty-five

92
ninety-two

Circle all the **odd** numbers.

8

9

5

4

10

3