

Name: \_\_\_\_\_

Primary 5-a-day

Ruby



20th May

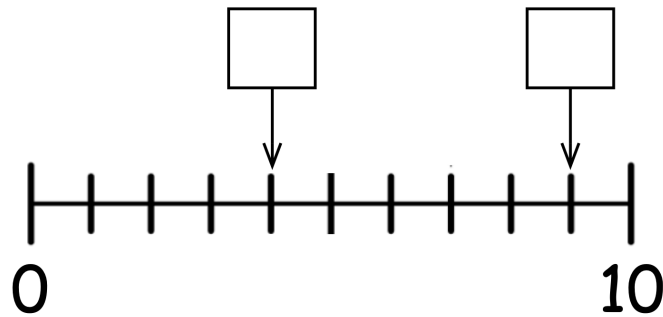
$13 + 1 =$

$10 - \square = 7$

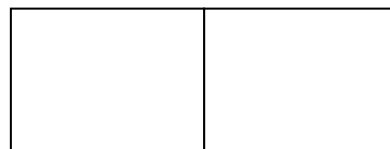
$4 + 16 =$

$8 + 9 =$

Write the missing numbers in the boxes.



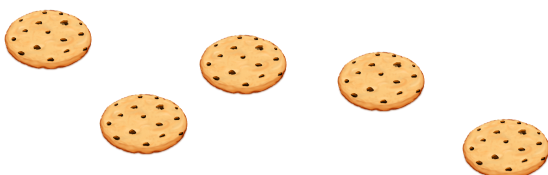
Shade **half** of this shape.



Tim has 12 cookies.

He then eats some of the cookies.

Here is how many he has left.



How many cookies did Tim eat?