

Name: \_\_\_\_\_

Primary 5-a-day

Ruby



10th November

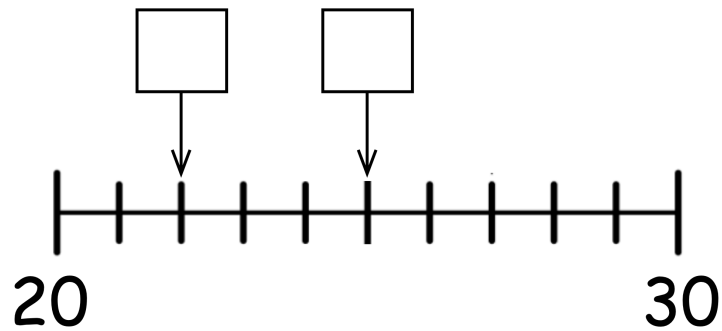
$2 - 1 =$

$17 - 3 =$

$14 - 3 =$

$13 + 7 =$

Write the missing numbers in the boxes.



How much money is there?

 p

Write down an **even number** between 3 and 7.